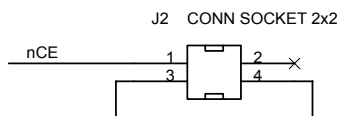
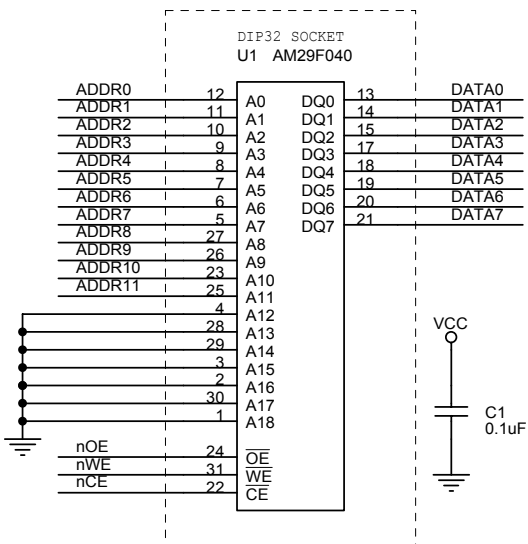


J1 HEADER 17X2



J2 CONN SOCKET 2x2



C1 0.1uF

Title		
Boot ROM board		
Size	Document Number	Rev
A4	BOOT-ROM.DSN	A
Date:	Friday, August 22, 2003	Sheet 1 of 1
2		1